

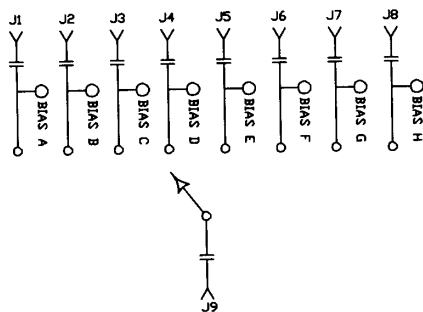
**DESCRIPTION:**

AMC MODEL NUMBER MSN-8DR-06-DEC-SP OPTIONS 10719, B05, LVT-COM IS A SINGLE POLE EIGHT THROW REFLECTIVE PIN DIODE SWITCH MODULE WITH LOW LOSS, LOW ISOLATION, VIDEO FILTERS AND DESIGNED FOR THE 1.7 GHZ TO 18.3 GHZ FREQUENCY BAND.

**SPECIFICATIONS:**

- FREQUENCY: 1.7 GHz TO 18.3 GHz
- INSERTION LOSS: 2.0 dB MAXIMUM, 1.5 dB TYPICAL
- ISOLATION: 20 dB MINIMUM
- VSWR: 1.75:1
- SPEED: RISE: 30 nsec MAXIMUM, 20 nsec TYPICAL  
FALL: 30 nsec MAXIMUM, 20 nsec TYPICAL
- POWER INPUT: (CW)+20dBm (STANDARD), +10 dBm (HIGH SPEED)
- SURVIVAL POWER: 1 WATT CW, 10 WATTS PEAK 1 usec
- CONTROL: TTL LOGIC "0"=ON "1"=OFF
- POWER SUPPLY: +5V @ 400 mA MAXIMUM  
-15V @ 75 mA MAXIMUM

**BLOCK DIAGRAM**



**ENVIRONMENTAL RATINGS:**

- TEMPERATURE: -55°C TO +85°C (OPERATING)  
-65°C TO +125°C (STORAGE)
- HUMIDITY: MIL-STD-202F, METHOD 103B COND. B
- SHOCK: MIL-STD-202F, METHOD 213B COND. B
- VIBRATION: MIL-STD-202F, METHOD 204D COND. B
- ALTITUDE: MIL-STD-202F, METHOD 105C COND. B
- TEMPERATURE CYCLE: MIL-STD-202F, METHOD 107D COND. A

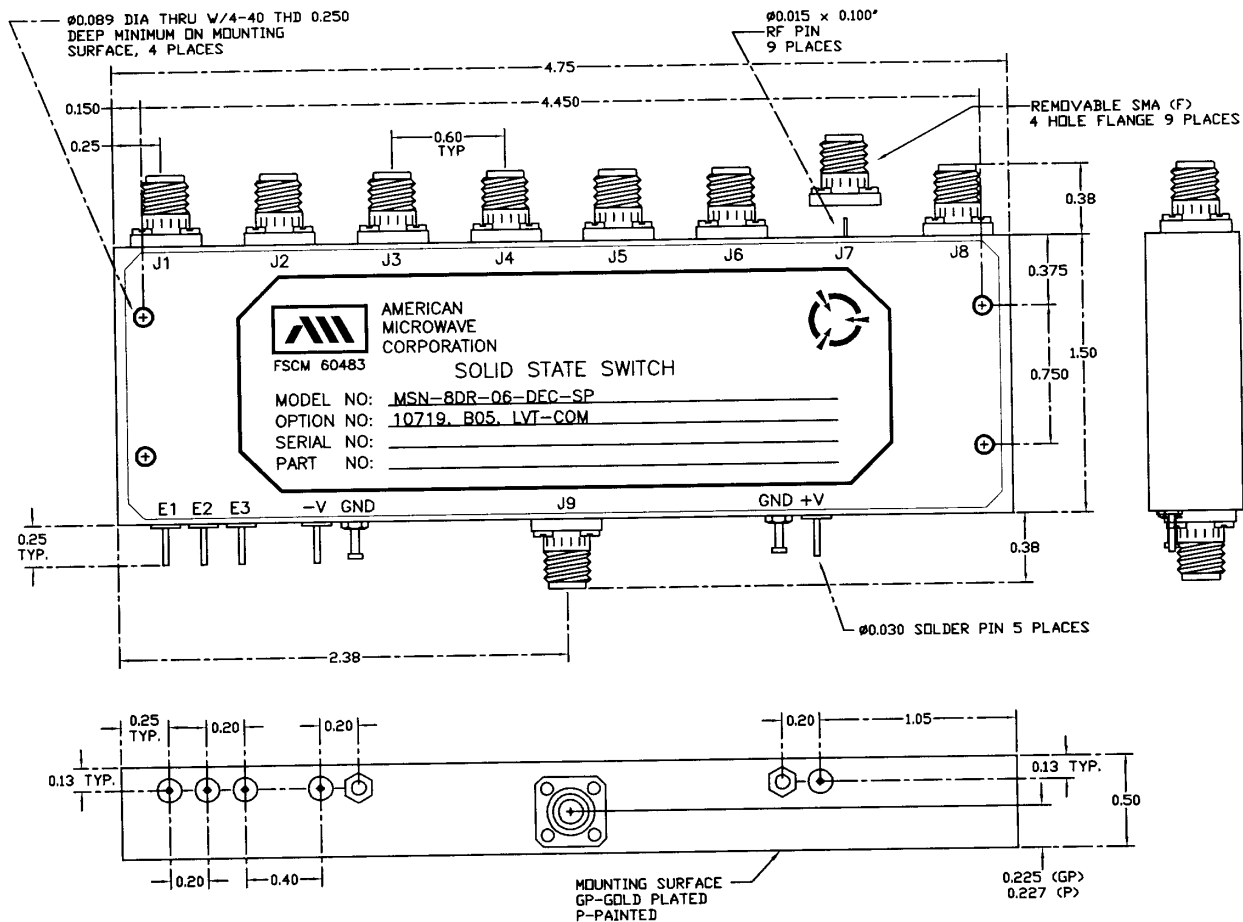
NOTE: THE ABOVE SPECIFICATIONS ARE SUBJECT TO CHANGE OR REVISION

ALL DIMENSIONS ARE IN INCHES  
TOLERANCES:

- X.XX ±0.020
- X.XXX ±0.010

ZONE		REV.	DESCRIPTION	DATE	APPROVED
		-	ORIGINAL RELEASE, JOB# 910193E	11/10/09	

**MECHANICAL OUTLINE**



**CONFIDENTIAL AND PROPRIETARY**

APPROVALS		DATE	AMERICAN MICROWAVE CORPORATION FREDERICK, MARYLAND		
DRAWN <i>WJCS</i>		11/10/09	TITLE PRODUCT FEATURE MSN-8DR-06-DEC-SP OPTIONS 10719, B05, LVT-COM SOLID STATE SWITCH		
CHECKED			SIZE A	FSCM NO. 60483	DWG NO. 100-6841
ISSUED			SCALE		REV. -
					SHEET 1 of 3